



Ishida Uni-8 Price Computing Scale with Printer and Color Touchscreen Standard Features

- Large 10.1-inch color touchscreen
- Adjustable touchscreen viewing angle
- Play videos with sound on customer and operator display
- Dual-range weighing
- Label printing: die-cut labels and/or continuous paper
- Customizable label formats: 999
- PC-based scale operating system
- Solid state drive eliminates moving parts
- SD memory card slot
- SSD memory 250 MB
- Up to 120 mm/sec print speed
- Wi-Fi plus Ethernet port
- 2020 nutrition labeling
- Configurable for different languages including Spanish, French and German
- Fully compliant with RoHS regulations for a completely lead-free machine
- Compatible with many third-party software communication packages
- Side loading labels



The logo for Rice Lake Weighing Systems features a red horizontal bar at the top. Below it, the words "RICE LAKE" are written in a large, bold, white sans-serif font. Underneath "RICE LAKE", the words "WEIGHING SYSTEMS" are written in a smaller, white sans-serif font. A registered trademark symbol (®) is located to the right of "LAKE".

RICE LAKE[®]
WEIGHING SYSTEMS

This graphic contains a standard 1D barcode at the top. Below the barcode, the word "TEEPOS" is written in a large, bold, blue sans-serif font with a white outline. The entire graphic is enclosed in a blue border.

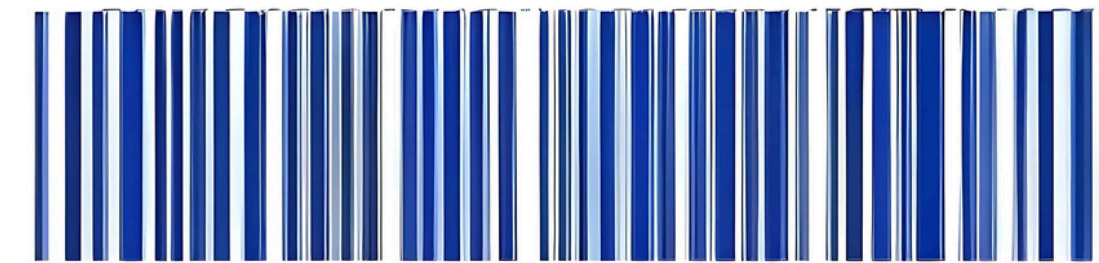
TEEPOS



Flexibility and Customization in a Price Computing Scale

- The Ishida Uni-8 digital price computing retail scale has a 10-inch LCD operator screen for clear visibility and flexibility. The operation screen can be customized for frequently used functions such as PLU presets, categories, top sellers and more for quick employee access.
- Choose from bench, pole or hanging scale types to best fit your store's needs. This scale's large memory stores high-quality images and videos, allowing in-store promotions to be shown on the customer-facing display.
- The Uni-8 has high-speed wired or wireless communication with gigabit Ethernet, making it possible to easily process large files. State-of-the-art technology within the scale allows for more compatibility and flexibility with external systems in your store, such as Ishida's ScaleLink Pro 5 scale management software. Remote maintenance access is also available to help your system get up and running quickly.

RICE LAKE[®]
WEIGHING SYSTEMS



TEEPOS



Ishida Uni-8 Price Computing Scale Specifications

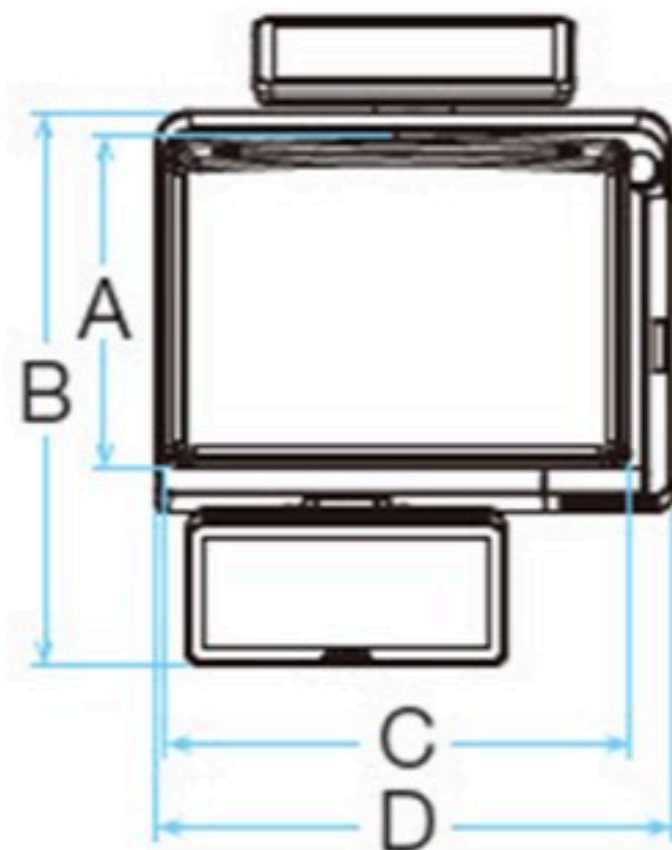
Capacity (Dual Range):
0 to 15 lb × 0.005 lb / 15 to 30 lb ×
0.01 lb
(0 to 6 kg × 0.002 kg / 6 to 15 kg ×
0.005 kg)
Capacity (single range):
0 to 30 lb × 0.01 lb
(0 to 15 kg × 0.005 kg)
Scale Platter Size:
14.5 × 10.5 in (386 × 267 mm)
Display Size:
Operator: 10.1 in (800 × 600 pixels)
Customer: 7 in (800 × 480 pixels)
Display Systems:
Capacitive touch panel
Media Type:
Die-cut label
Continuous label/linerless
label/receipt

Media Size:
Outside Diameter of roll: Max. 100
mm (4.0 in) or less
Inner core diameter: 40 mm +/-1
mm (1.6 in)
Width: 30 to 64 mm (linerless label:
60 mm)
Length: 30-200 mm (linerless label:
30 to 175 mm)
Cassette:
Fixed cassette with virtual cassette
function
Thermal Head:
2.2 in (56 mm)
Resolution:
8 dot/mm (200 dpi)
Printer Speed:
MAX: 120 mm/sec

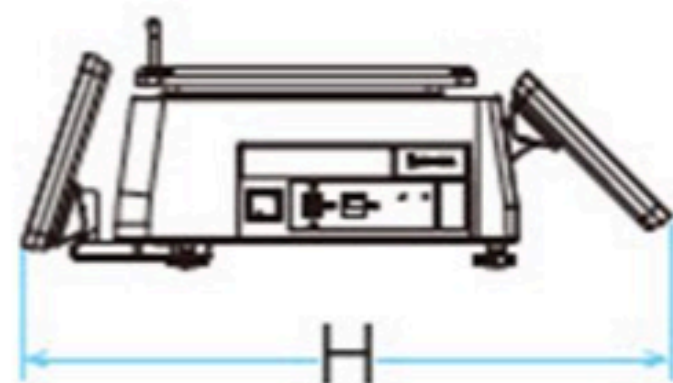
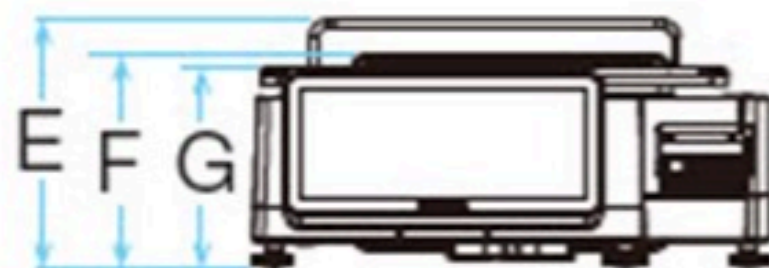
Printing Width:
MAX: 56 mm
Printing Length:
MAX: 200 mm
Bar Code Type:
JAN, EAN, EAN128, CODE128, UPC,
ITF, GS1, QR
I/O PORT:
TCP/IP, USB, RS-485, Connector for
external scale
O/S:
Linux
Communication:
Ethernet, built-in RF bridge
(WEP/WPA/WPA2)
Approvals:
NTEP
cULus



Ishida Uni-8 Price Computing Scale Bench Dimensions

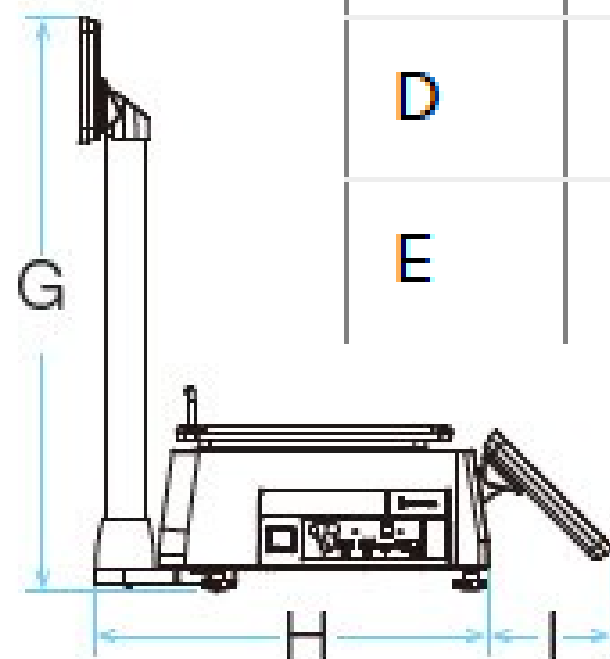
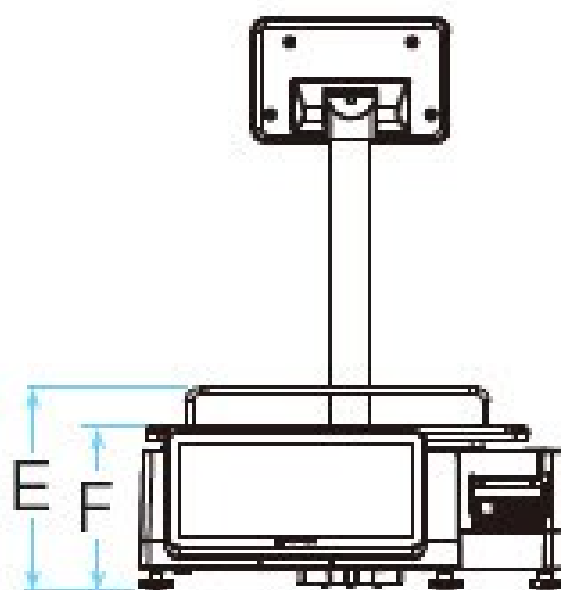
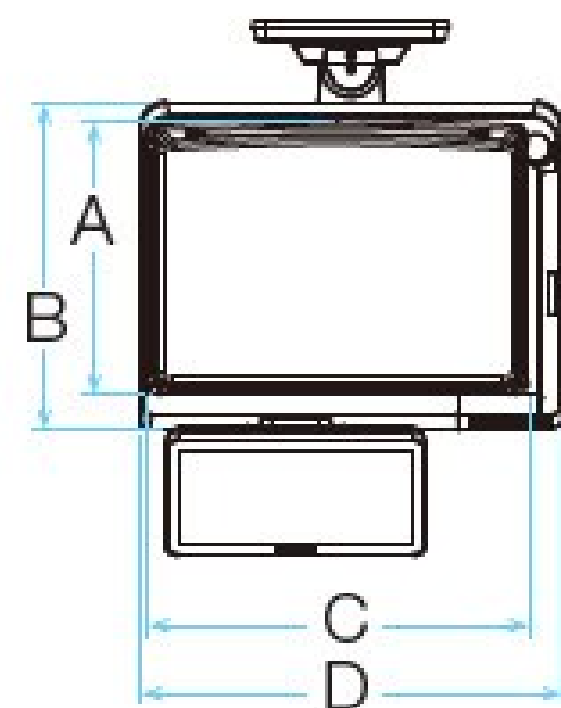


Bench Dimensions			
A	10.5 in (266 mm)	E	7.7 in (197 mm)
B	17.3 in (440 mm)	F	6.7 in (170 mm)
C	14.6 in (370 mm)	G	6.3 in (159 mm)
D	16.1 in (410 mm)	H	20.3 in (515 mm)





Ishida Uni-8 Price Computing Scale Pole Dimensions



Bench Dimensions			
A	10.5 in (266 mm)	F	6.3 in (159 mm)
B	12.6 in (319 mm)	G	21.9 in (555 mm)
C	14.6 in (370 mm)	H	15.0 in (382 mm)
D	16.1 in (410 mm)	I	3.7 to 5.6 in (93 to 143 mm)
E	7.7 in (197 mm)		

RICE LAKE®

WEIGHING SYSTEMS



TEEPOS



ISHIDA

0 221653 614639

GROUND BEEF 75% LEAN

PRODUCT OF: U.S.A.

Nutrition Facts

	Amount/Serving	%Daily Value*
Total Fat	4g	6%
Saturated Fat	15g	8%
Trans Fat	0g	
Cholesterol	65mg	22%
Sodium	50mg	2%
Total Carbohydrate	0g	0%
Protein	24g	
Calcium	2%	
Iron	14%	

Serving Size 4 OZ
Servings varies
Calories 130
Fat Calories 25

*Percent Daily Values are based on a 2,000 calorie diet.

Unit Price \$2.49
Net Wt / Ct 5.875 lb
TOTAL PRICE \$14.63

THANK YOU FOR YOUR BUSINESS

RICE LAKE WEIGHING SYSTEMS 800-472-6703
WWW.ISHIDAUSA.COM