



Ishida Uni-10 Series PC Based Price Computing Scale with Printer and Color Touchscreen

Standard Features



- Top seller (scheduled/real-time)
- Time stamp for data credibility
- Large 5 in roll capacity
- 3 in (80 mm) wide print head
- Production transaction
- Designer fonts
- New nutrition label compatibility
- Data distribution
- Color printer connectivity
- Secured remote access
- 6,000 characters per item support
- Calendar entry for quick data change
- Video functions
- DHCP connectivity
- 2.4/5 GHz Wi-Fi plus Ethernet port
- Dynamic search
- Flexible bar code structures
- Multi-department
- OS security maintenance
- Filter for third-party driver communication
- Flexible and expanded preset key layout
- Adjustable customer side message
- Logo checking field
- Additional information display key (ex. Can be used for allergen search, receipt, suitable wine)
- Up to 99 USB backup folders
- Removable cassette
- Self service mode is available for any bench, pole or hanging scale

RICE LAKE[®]
WEIGHING SYSTEMS

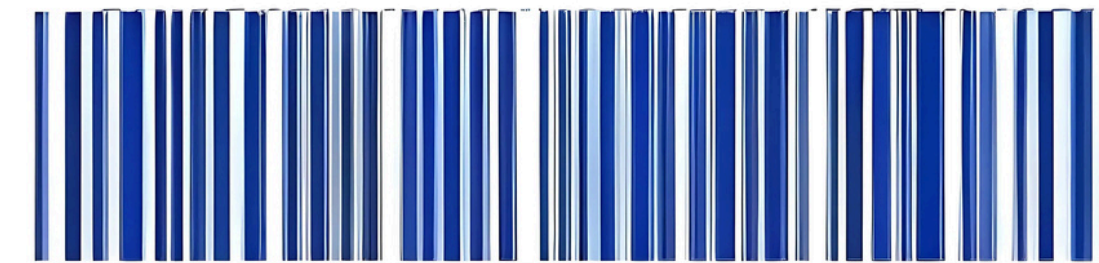

TEEPOS



A Price Computing Scale with Simple and Efficient Operation

- The Ishida Uni-10 retail scale provides flexibility and features to ensure you have complete control. Grocery stores require employees to wear gloves when directly handling food. The Uni-10's resistive touch panel provides control for operators wearing gloves without sacrificing durability. The scale's control panel has a flat design, making it easy to clean and sanitize. The Uni-10 has a 12.1-inch operator display for more visibility and to view larger graphics.
- With a 5-inch label roll capacity, the front-load label cassette allows operators to easily change labels in a comfortable position, making it easy to quickly load labels, even during busy times. The Uni-10 is compliant with the latest nutrition label requirements. According to the FDA, new labels reflect current scientific evidence leading to a healthier lifestyle.

RICE LAKE[®]
WEIGHING SYSTEMS



TEEPOS



Ishida Uni-10 PC Based Price Computing Scale Specifications

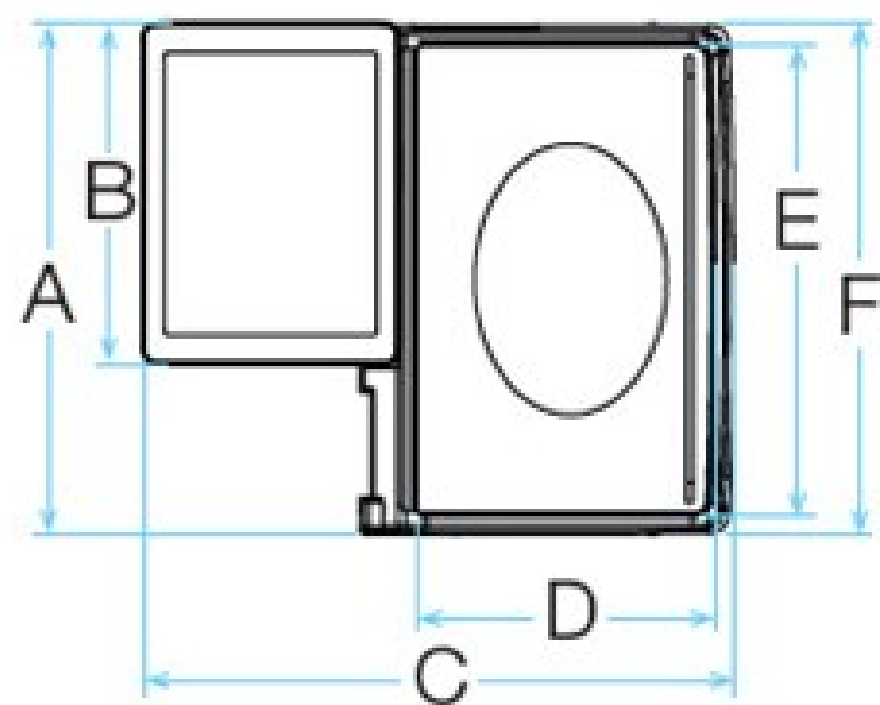
Capacity (Dual Range):
0 to 15 lb × 0.005 lb / 15 to 30 lb ×
0.01 lb
(0 to 6 kg × 0.002 kg / 6 to 15 kg ×
0.005 kg)
Capacity (Single range):
0 to 30 lb × 0.01 lb
(0 to 15 kg × 0.005 kg)
Scale Platter Size:
16.5 × 10.4 in
(420 × 263 mm)
Display Size:
Operator: Backlite 12.1 in XGA (1024
× 768 pixel) TFT Color LCD
Customer: Backlite 7 in WVGA (800
× 480 pixel) TFT Color LCD
Display Systems:
Resistive thin film type analogue
touch panel

Media Type:
Die-cut label; Continuous label /
Receipt
Media Size:
Outside Diameter of roll: Max. 5.0 in
(125 mm) or less
Inner core diameter: 40 mm +/-1 mm
(1.6 in)
Width: 30 to 80 mm (+2 mm with
backing paper)
Length: 20 to 300 mm
Cassette:
Front-load, removable label cassette
Thermal Head:
3 in (80 mm)
Resolution:
12 dot/mm (300 dpi)
Printer Speed:
MAX: 120 mm/sec

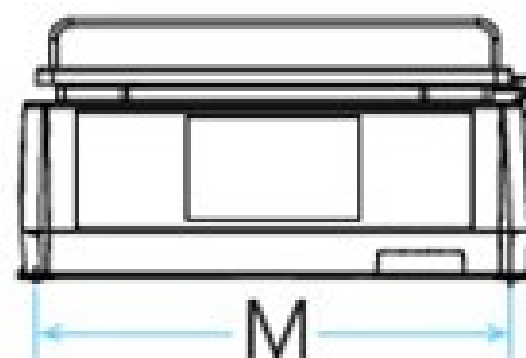
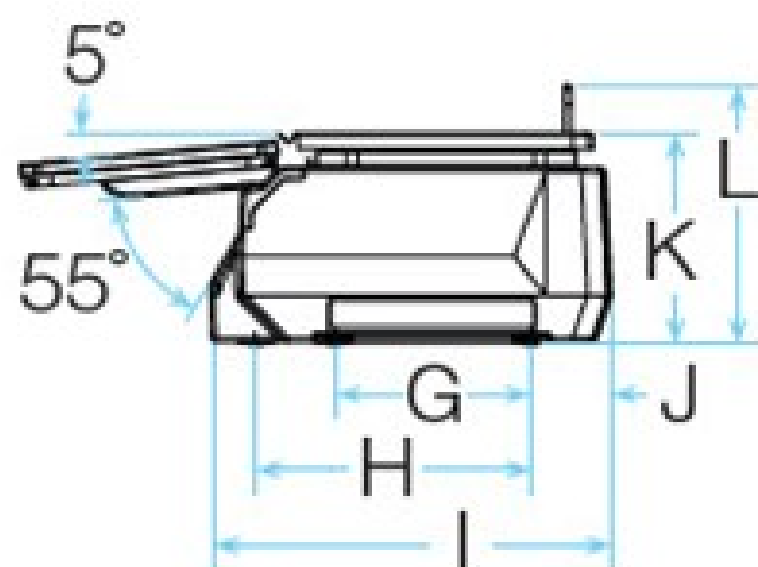
Printing Width:
MAX: 78 mm
Printing Length:
MAX: 300 mm
Bar Code Type:
JAN, EAN, EAN128, CODE128, UPC,
ITF, GS1 and QR Code
I/O PORT:
TCP/IP and USB
O/S:
Linux
Communication:
Ethernet, built-in RF bridge
(WEP/WPA/WPA2)
Approvals:
NTEP
cULus



Ishida Uni-10 PC Based Price Computing Scale Bench Dimensions

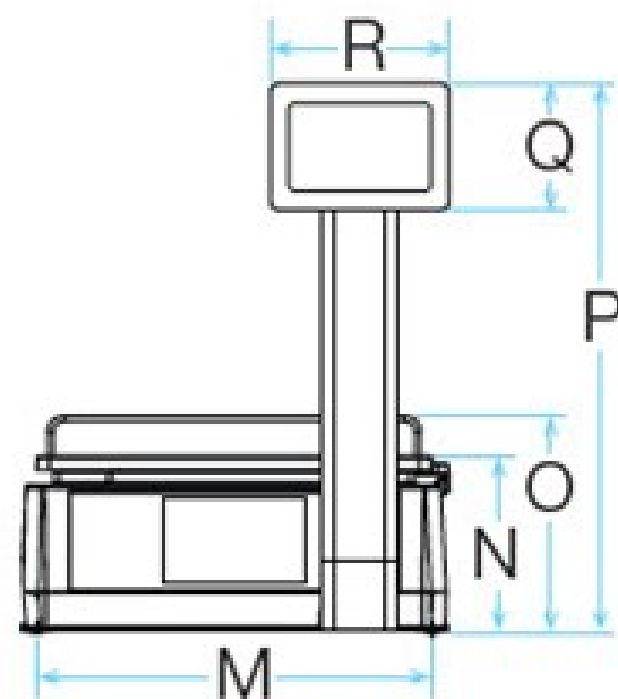
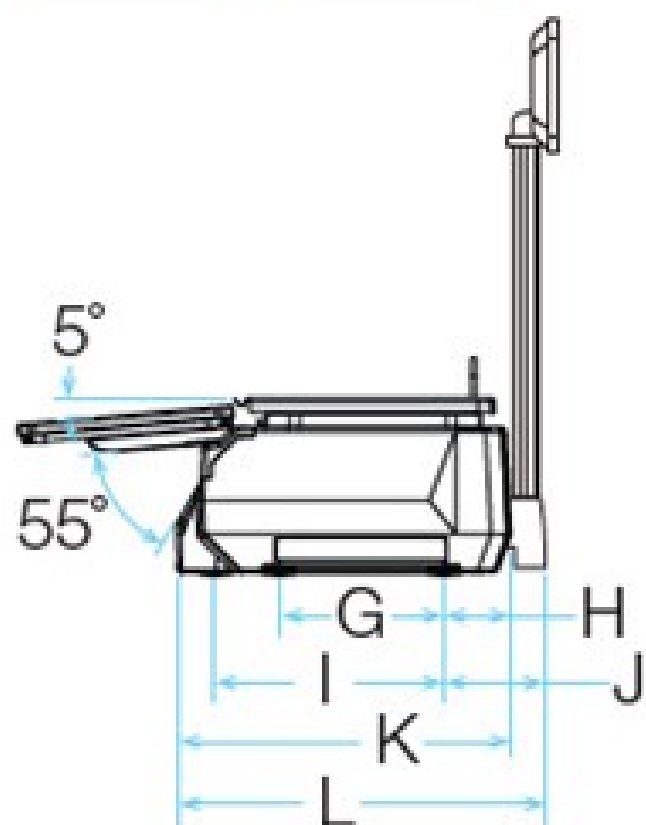
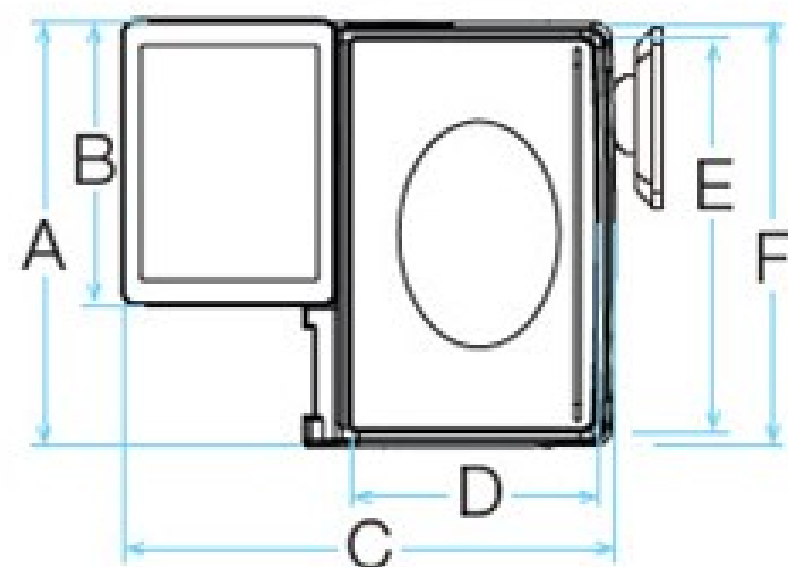


Dimensions					
A	17.8 in (453 mm)	F	17.7 in (450 mm)	J	2.8 in (72 mm)
B	11.9 in (303 mm)	G	6.9 in (174 mm)	K	7.4 in (188 mm)
C	20.6 in (523 mm)	H	9.6 in (243 mm)	L	9.1 in (231 mm)
D	10.4 in (263 mm)	I	14.0 in (355 mm)	M	16.5 in (420 mm)
E	16.5 in (420 mm)				





Ishida Uni-10 PC Based Price Computing Scale Pole Dimensions



Dimensions					
A	17.8 in (453 mm)	G	17.7 in (450 mm)	M	16.5 in (420 mm)
B	11.9 in (303 mm)	H	6.9 in (174 mm)	N	7.4 in (188 mm)
C	22.7 in (576 mm)	I	9.6 in (243 mm)	O	9.1 in (231 mm)
D	10.4 in (263 mm)	J	14.0 in (355 mm)	P	23.1 in (586 mm)
E	16.5 in (420 mm)	K	14.0 in (355 mm)	Q	5.4 in (136 mm)
F	17.7 in (450 mm)	L	15.5 in (394 mm)	R	7.6 in (192 mm)

RICE LAKE®

WEIGHING SYSTEMS



TEEPOS



ISHIDA
GROUND BEEF 75% LEAN
PRODUCT OF: U.S.A.

Nutrition Facts		Amount/Serving	%Daily Value*
Serving Size	4 OZ	Total Fat	4g 6%
Servings	varies	Saturated Fat	15g 8%
Calories	130	Trans Fat	0g
Fat Calories	25	Cholesterol	65mg 22%
Not a significant source of dietary fiber, sugars, vitamin A, and vitamin C.		Sodium	50mg 2%
*Percent Daily Values are based on a 2,000 calorie diet.		Total Carbohydrate	0g 0%
		Protein	24g
		Calcium	2%
		Iron	14%

Unit Price \$2.49
Net Wt / Ct 5.875 lb
TOTAL PRICE \$14.63
RICE LAKE WEIGHING SYSTEMS 800-472-6703
WWW.ISHIDAUSA.COM